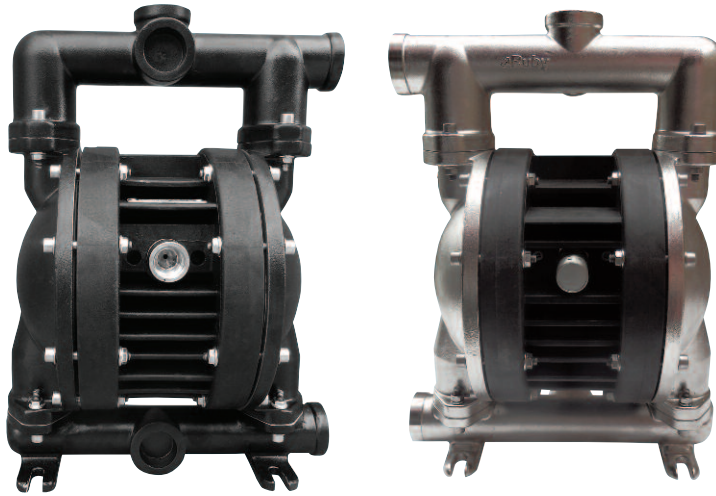


## Ruby 125

Construction materials: **ALUMINIUM, AISI 316**

New pump line with a brand new designing that offers reinforced pumping potentials. The updated designing provides even bigger performance provided with economy.



**EAC CE Ex** II 2/2 G/D Ex h IIC T4 Gb/Db  
IM2 Ex h Mb

**5 YEARS LIMITED WARRANTY**



## Benefits

- Optimal performance
- Economical air consumption, ecological designing
- High efficiency for pressure/capacity
- Oil free operation
- No freezing
- New air valve designing, fully controlled air passing
- Easy disassembling and re-assembling
- New generation diaphragms with embodied inner-outer piston
- New generation PTFE diaphragms of embodied type for long-life operation (compound)
- Advanced quality Full capacity PTFE-A diaphragms for high chemical and mechanical applications
- Potential to be submersible (on request)
- Possibility to be used in dirty environments due to their closed designing
- Easy manifold reverse
- Automatic suction
- Twin manifold option (two suction and two delivery)
- Excellent performance and value for money
- Ideal for abrasive, viscous, and shear sensitive media

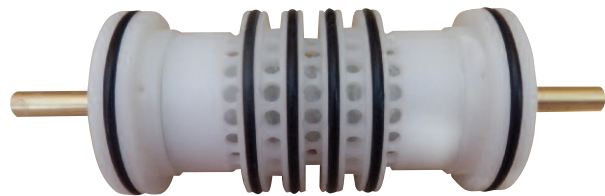
## Ruby 125 composition codes

Pump model	Pump Body	Center block	Diaphragms	Ball Seats	Balls	O-ring	Other Options
Ruby 125	A: ALUMINUM AL-233 S: AISI 316	P: PP PC: PP+CF A: Aluminum	N: NBR Conductive E: EPDM Conductive F: VITON Conductive T: Compound PTFE+EPDM Conductive Z: Compound PTFE A +EPDM Conductive	N: NBR E: EPDM P: PP V: PVDF A: ALUMINUM S: AISI 316	N: NBR E: EPDM T: PTFE S: AISI 316	N: NBR E: EPDM T: PTFE F: VITON	D: Twin Manifold F: Flange PN10/ANSI/JIS

## Ruby Innovative oil free air valve

The heart of the Ruby pump is our innovative, new design air valve. In respect for New Era demands, to create and offer High Quality product, with high interest for the environment and it's protection, the Air Valve of the Ruby Diaphragm Pumps has been created to offer:

- ✓ Oil free operation
- ✓ Low need for maintenance
- ✓ Not affected by minor contamination of compressed air
- ✓ Significant energy saving
- ✓ Non freezing operation
- ✓ External environment operation
- ✓ No dead centre
- ✓ Long life
- ✓ Reliability



## Advance unified diaphragms featuring:

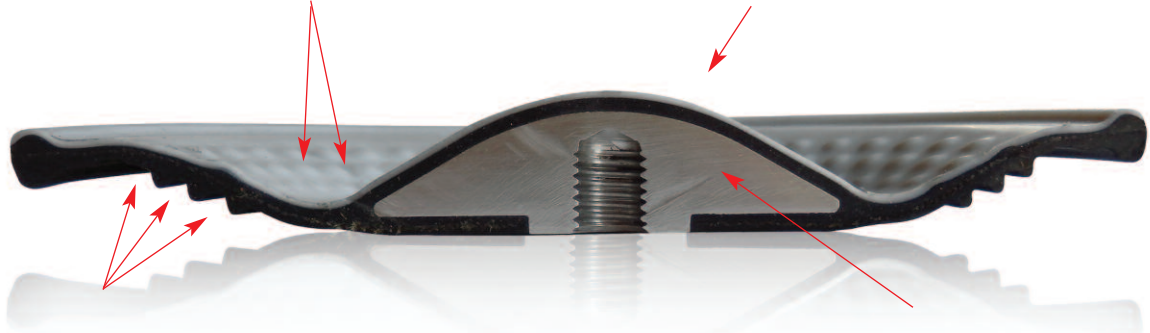
- ✓ Easy installation and maintenance
- ✓ Excellent service life
- ✓ Inventory cost reduction
- ✓ Improved performance
- ✓ Greater displacement per cycle
- ✓ No center hole, elimination of potential leak paths.
- ✓ There is no need for the main axis to be insured
- ✓ They can be screwed and unscrewed without the use of tools



## Advance Unified Diaphragm offers:

**The prominences decrease** the stretching of the PTFE during the regression and prevent it from cracking.

**Innovative conical shape** ideal for optimal performance and life, low pressure requirements for start-up, ideal suction



**Innovative diaphragm support side**, offers flexibility, long life and protects from cavitation

**Special internal plate** supports your diaphragm in every movement

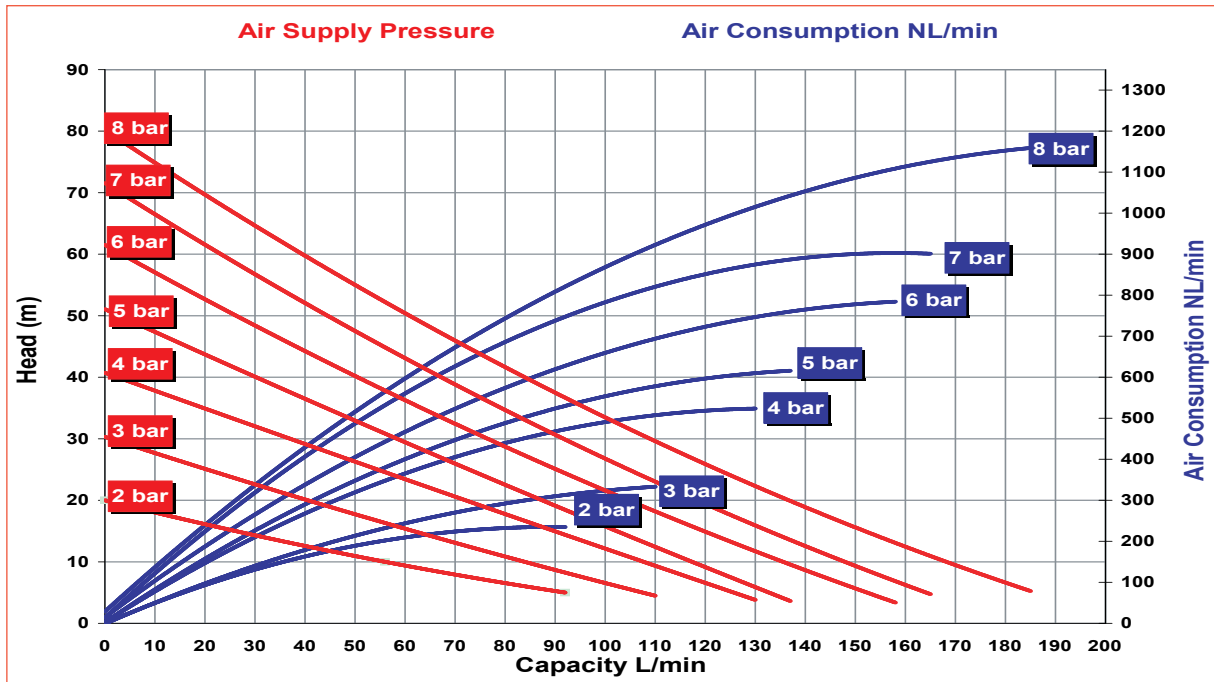
## Technical data

ATEX Certification	STANDARD : II 3/3 G/D Ex h IIB T4 Gc/Dc CONDUCT : II 2/2 G/D Ex h IIC T4 Gb/Db – I M2 Ex h Mb
Construction Material	Aluminum AL-233, AISI 316
Diaphragms	N: NBR Conductive E: EPDM Conductive F: Viton conductive T: Compound PTFE+Back up EPDM Conductive Z: Compound PTFE A+Back up EPDM Conductive
Intake/delivery connections	1" BSP G - DN 25 Flange PN16 / ANSI / JIS on request
Air connection	1/2"
*Max. flow rate	185 L/min
*Max. flow pressure	8 bar
Operating pressure	Min. 2 bar – Max.8 bar
Max. suction head	5 m
Max. size of solids	3.5 mm
Max. operating Temperature	95°C. With metallic center block 130°C
Weight Aluminum	8Kg
Weight AISI 316	14Kg

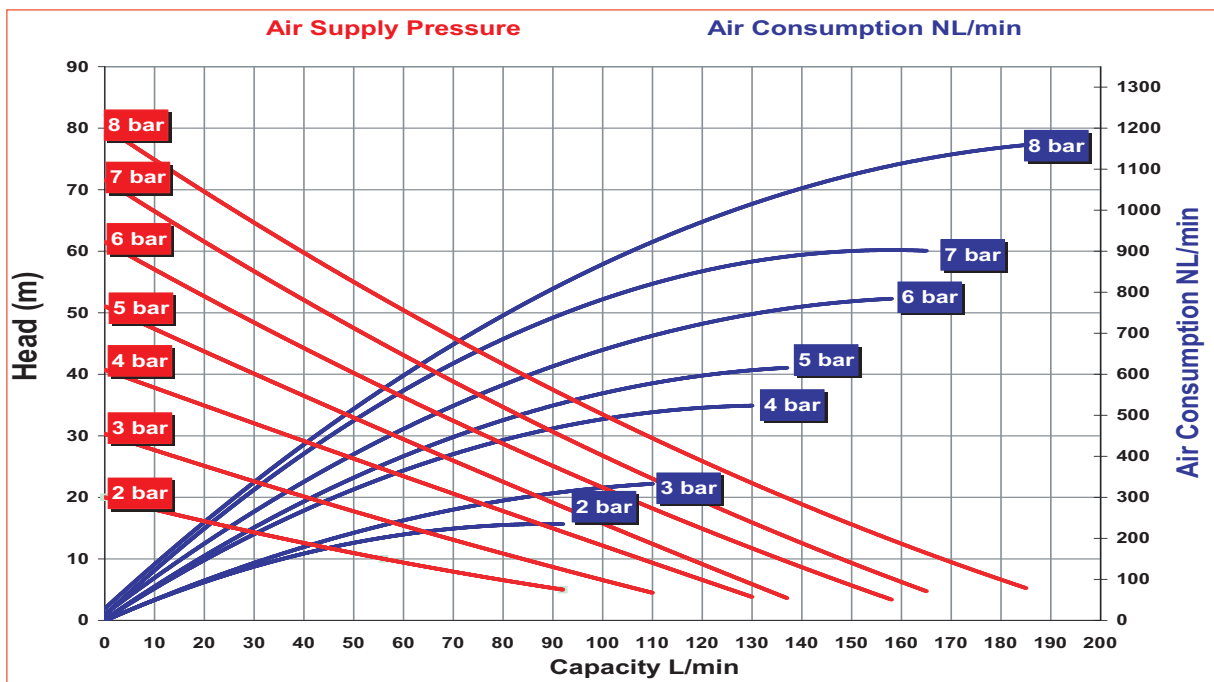
\* The curves and performance values refer to pumps with submerged suction and a free delivery outlet with water at 20°C, and vary according to the construction material.

# Performance

## RUBY 125 - FULL CAPACITY PTFE - A FITTED

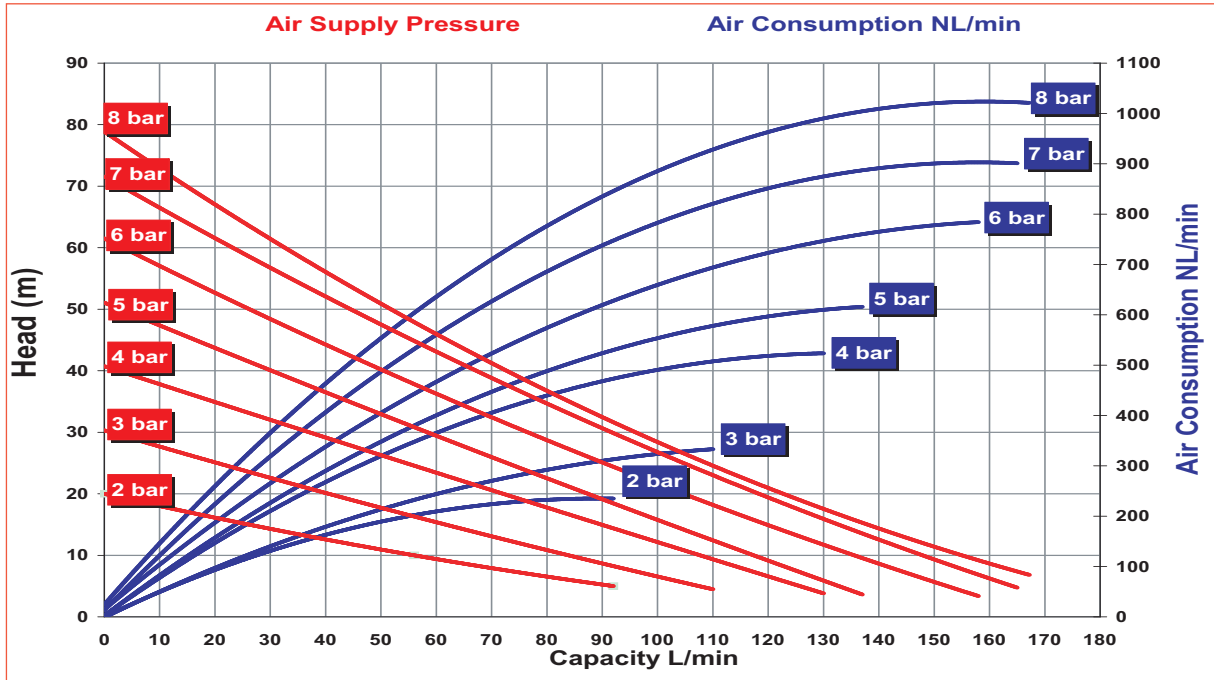


## RUBY 125 - RUBBER FITTED

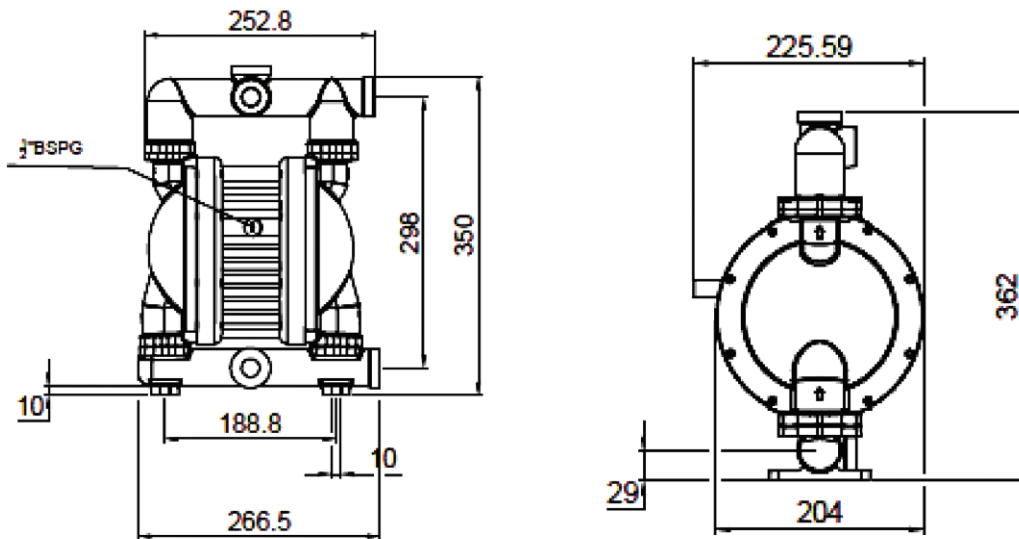


# Performance

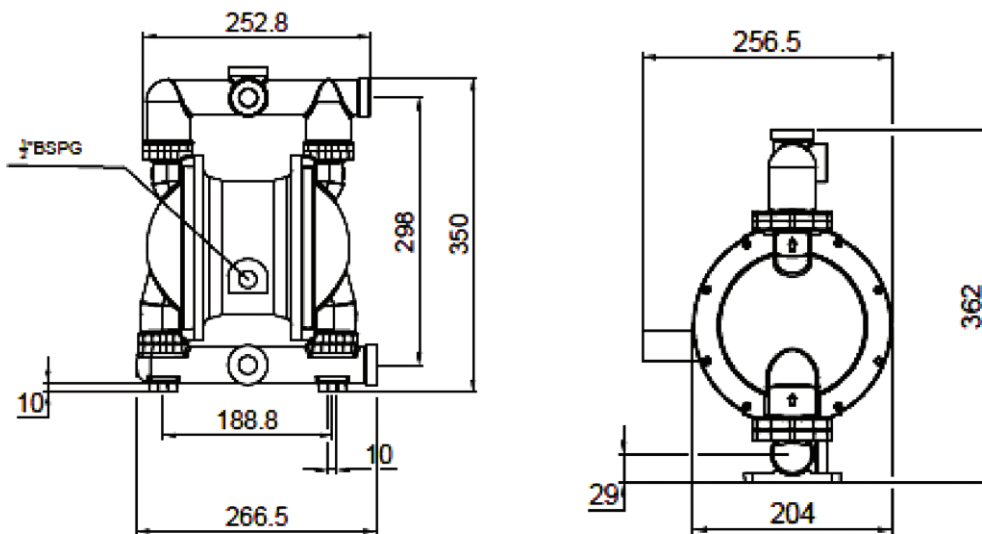
## RUBY 125 - PTFE FITTED

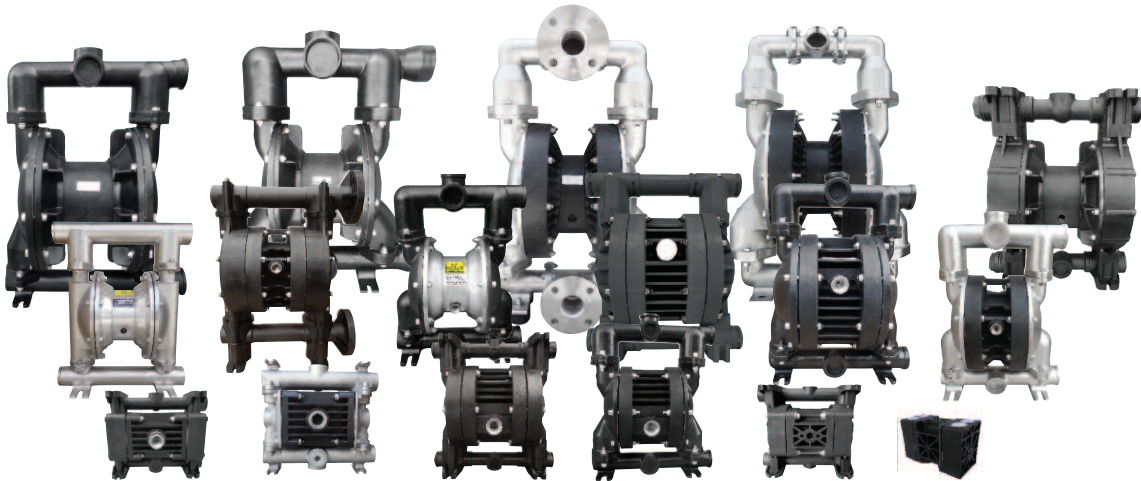


**Dimensions non metallic central block**



**Dimensions metallic central block**





*We Make The Difference*



**Production Plant - Greece**

Inofita Industrial area  
59th km Nat.Road Athens- Lamia  
GR 320 11 Inofita Viotia, Greece  
Tel +30 215 215 9520 , +30 215 215 9580  
Email: [Sales@alphadynamic.eu](mailto:Sales@alphadynamic.eu)  
[www.alphadynamic.eu](http://www.alphadynamic.eu)

**Sales Office - England**

Rockleigh House, 37 Burton Road  
Ashby de la Zouch , Leicestershire  
LE65 2LF - United Kingdom (UK)  
Registered in ENGLAND & WALES  
Registration number 09706219  
Tel +44 1213 680 324 , +44 1213 680472  
Email: [Sales@alphadynamic.eu](mailto:Sales@alphadynamic.eu)  
[www.alphadynamic.eu](http://www.alphadynamic.eu)