

Ruby 051

Construction materials: **PP – PVDF – PP+CF**

New pump line with a brand new designing that offers reinforced pumping potentials. The updated designing provides even bigger performance provided with economy.



Benefits

- Optimal performance
- Economical air consumption, ecological designing
- High efficiency for pressure/capacity
- Oil free operation
- No freezing
- New air valve designing, fully controlled air passing
- Easy disassembling and re-assembling
- Potential to be submersible (on request)
- Possibility to be used in dirty environments due to their closed designing
- Easy manifold reverse
- Automatic suction
- Twin manifold option (two suction and two delivery)
- Excellent performance and value for money
- Ideal for abrasive, viscous, and shear sensitive media





II 2/2 G/D Ex h IIC T4 Gb/Db
I M2 Ex h Mb



Ruby 051 composition codes

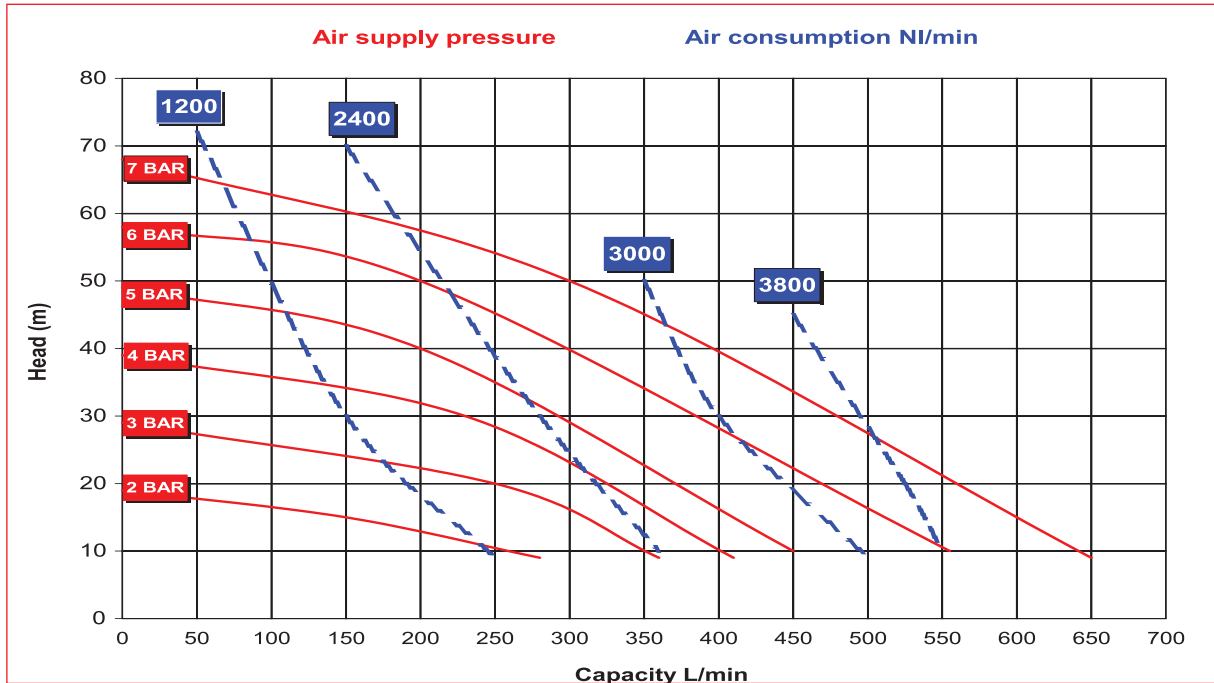
Pump model	Body	Center block	Diaphragms	Valve Seats	Balls	O-ring	Other options
Ruby 051	P: PP V: PVDF+CF PC: PP+CF	P: PP PC: PP+CF	N: NBR E: EPDM ST: PTFE+back up (Santoprene) HT: PTFE+back up (Hytrel)	P: PP V: PVDF	N: NBR E: EPDM T: PTFE	N: NBR F: FKM T: PTFE E: EPDM	D: Twin Manifold F: Flange PN10/ANSI/JIS

Technical data

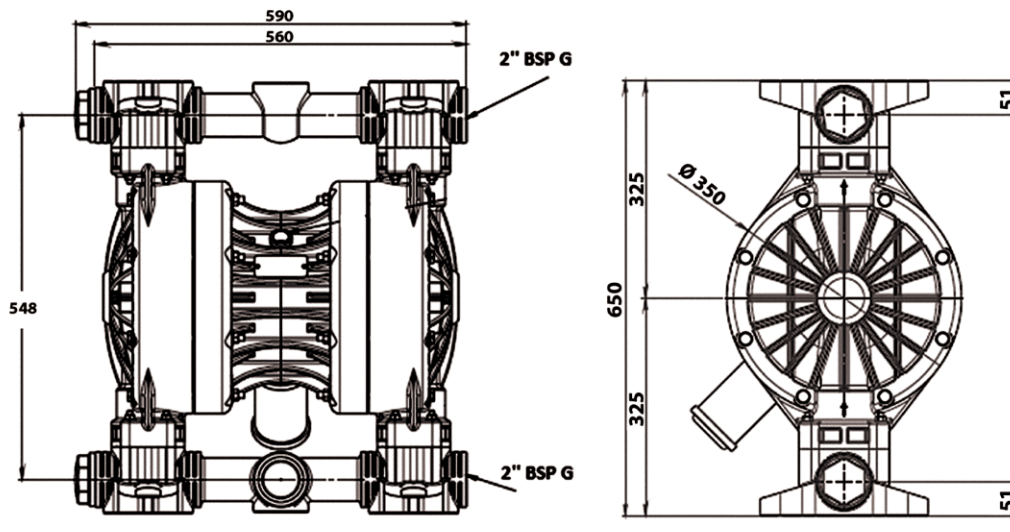
ATEX Certificate	  STANDARD : II 3/3 G/D Ex h IIB T4 Gc/Dc CONDUCT : II 2/2 G/D Ex h IIC T4 Gb/Db – I M2 Ex h Mb
Construction materials	PP, PVDF, PP+CF
Diaphragms	PTFE+SANTOPRENE, PTFE+HYTREL, NBR-BUNA, EPDM
Intake/delivery connections	2" BSP G - Flange on Request
Air connection	3/4"
Max. self-priming capacity	5 m
Max. flow rate	650 l/min
Max. head	70 m
Max. air supply pressure	7 bar
Max solid size (diameter)	8 mm
Max. operating temp.	PP 60°C, PVDF 95°C, P,P+CF 60°C
Weight PP	38 Kg
Weight PVDF	45 Kg

* The curves and performance values refer to pumps with submerged suction and a free delivery outlet with water at 20°C, and vary according to the construction material.

Performance Ruby 051



Dimensions Ruby 051





We Make The Difference



Production Plant - Greece

Inofita Industrial area
59th km Nat.Road Athens- Lamia
GR 320 11 Inofita Viotia, Greece
Tel +30 215 215 9520 , +30 215 215 9580
Email: Sales@alphadynamic.eu
www.alphadynamic.eu

Sales Office - England

Rockleigh House, 37 Burton Road
Ashby de la Zouch , Leicestershire
LE65 2LF - United Kingdom (UK)
Registered in ENGLAND & WALES
Registration number 09706219
Tel +44 1213 680 324 , +44 1213 680472
Email: Sales@alphadynamic.eu
www.alphadynamic.eu