

Ruby 008

Construction materials: **PP, PP+CF, PVDF+CF**

New pump line with a brand new designing that offers reinforced pumping potentials. The updated designing provides even bigger performance provided with economy.



EAC CE




II 2/2 G/D Ex h IIC T4 Gb/Db
I M2 Ex h Mb

5 YEARS
LIMITED
WARRANTY

Benefits

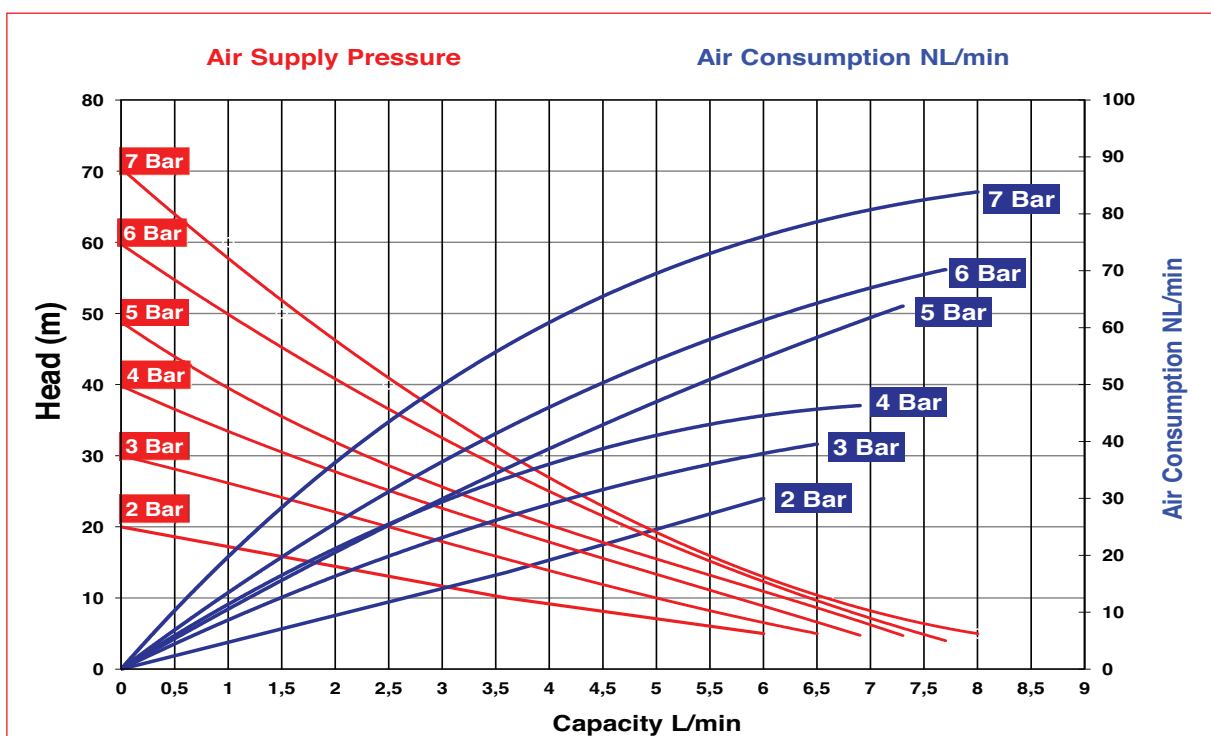
- Optimal performance
- Economical air consumption, ecological designing
- High efficiency for pressure/capacity
- Oil free operation
- No freezing
- New air valve designing, fully controlled air passing
- Easy disassembling and re-assembling
- Automatic suction
- Excellent performance and value for money

Technical data

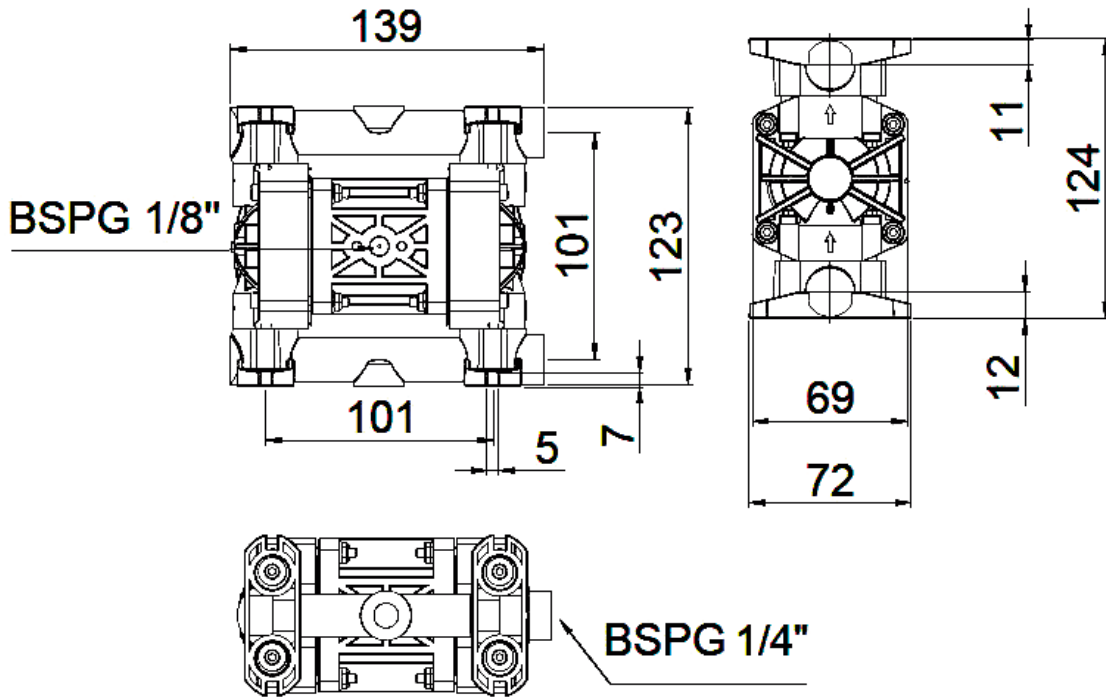
ATEX Certificate	 STANDARD : II 3/3 G/D Ex h IIB T4 Gc/Dc CONDUCT : II 2/2 G/D Ex h IIC T4 Gb/Db – I M2 Ex h Mb
Construction materials	PP, PP+CF, PVDF+CF
Intake/delivery connections	G 1/4"
Air connection	1/8"
Max. self-priming capacity	3m
Max. flow rate	8 l/min
Max. head	70m
Max. air supply pressure	7 bar
Diameter	0,5 mm
Max. operating temperature	PP: 60°C, PVDF: 95°C
Weight	PP: 0,7Kg, PVDF: 1,3Kg

* The curves and performance values refer to pumps with submerged suction and a free delivery outlet with water at 20°C, and vary according to the construction material.

Performance



Dimensions





We Make The Difference



Production Plant - Greece

Inofita Industrial area
59th km Nat.Road Athens- Lamia
GR 320 11 Inofita Viotia, Greece
Tel +30 215 215 9520 , +30 215 215 9580
Email: Sales@alphadynamic.eu
www.alphadynamic.eu

Sales Office - England

Rockleigh House, 37 Burton Road
Ashby de la Zouch , Leicestershire
LE65 2LF - United Kingdom (UK)
Registered in ENGLAND & WALES
Registration number 09706219
Tel +44 1213 680 324 , +44 1213 680472
Email: Sales@alphadynamic.eu
www.alphadynamic.eu